



## EC TYPE-EXAMINATION CERTIFICATE (EC Directive 89/686/EEC)

### Number EC79954

Notified body number: 2019

NOTIFIED UNDER ARTICLE 9 OF EC DIRECTIVE 89/686/EEC

Issued to:

**Portwest Clothing Ltd.**

Fields End Business Park,  
Thurnscoe,  
South Yorkshire.  
S63 0JF,  
England.

**Portwest China.**

Room 1104,  
Fuzhou IFC,  
No. 1 Wanglong 2<sup>nd</sup> road.  
Taijiang area,  
Fujian  
China.

It is certified that the manufacturer's technical file and the PPE detailed below have been assessed and found to be in accordance with EC Directive 89/686/EEC for PPE of 'Intermediate Design'.

PPE Product:

**Portwest Style RT63 High Visibility Breathable Traffic Jacket.** constructed from an Orange PU Coated polyester fabric (190gm) with an orange mesh lining on the torso and orange taffeta lining in the sleeves. The garment has two bands of retroreflective tape about the torso and sleeves with over the shoulder bands. The garment is available in eight nominal sizes the smallest being size S The garment may be worn with inner jackets supplied separately (for example but not limited to Portwest Style F300).

When examined the PPE satisfied the relevant requirements in the harmonized standards,

EN ISO 20471:2013 Class 3  
EN 343:2003 A1:2007 Class 3, 3

And the non harmonized standard:

GO/RT 3279 Issue 8 : 2013

The manufacturer's information notices detailed within the technical file (USP-005) in English have been assessed and found to have addressed all of the relevant requirements of the standards. However the detailed content of the notice is the responsibility of the manufacturer as are translations into other languages.

**CE**  
**2019**

Authorised By:  
Dale Brockbank  
Materials Testing Manager

Issue 1 28 October 2016

Certified since 28 October 2016

WYMTS Reference : 79954

❖ This Certificate remains the property of West Yorkshire Materials Testing Service whom it must be returned to on request.



5380



## EC TYPE-EXAMINATION CERTIFICATE (EC Directive 89/686/EEC)

### Number EC79954

**Notified body number: 2019**  
 NOTIFIED UNDER ARTICLE 9 OF EC DIRECTIVE 89/686/EEC

**ALL TEST DOCUMENTS MUST BE INCLUDED IN THE TECHNICAL FILE**

Requirement	Assessment	Technical Documentation
Technical File	Technical file in order with PPE Directive (89/686/EEC)	Portwest technical file RT63 07/10/16 and supplements.
EN 340/ISO 13688 Innocuousness	Garment meets all requirements	Oekotex 11-23395 ,BEAO 051818 Oekotex SHAO 044012 BV (9314)293-1008
EN 340/ISO 13688 Ergonomics and sizing, and ISO20471 Design assessment.	Garment meets all requirements, with size S achieving Class 3	Garment Design Assessed
EN343	Class 3, 3	BTTG 11/13376A SGS SHSL1209207602TX SGS SHSL1407160687TX
EN ISO 20471 & GO/RT 3279	EN ISO 20471	BTTG 11/16319A WYMTS 65974, BV(9314)393-1008 Satra SPC0218053/1338
Product Markings	Marking meets the requirements of EN 343, ISO13688:2003 & ISO20471	Detailed within technical File




*Authorised By:*  
 Dale Brockbank  
 Materials Testing Manager

Issue 1 28 October 2016

Certified since 28 October 2016

WYMTS Reference : 79954

❖ This Certificate remains the property of West Yorkshire Materials Testing Service whom it must be returned to on request.



5380

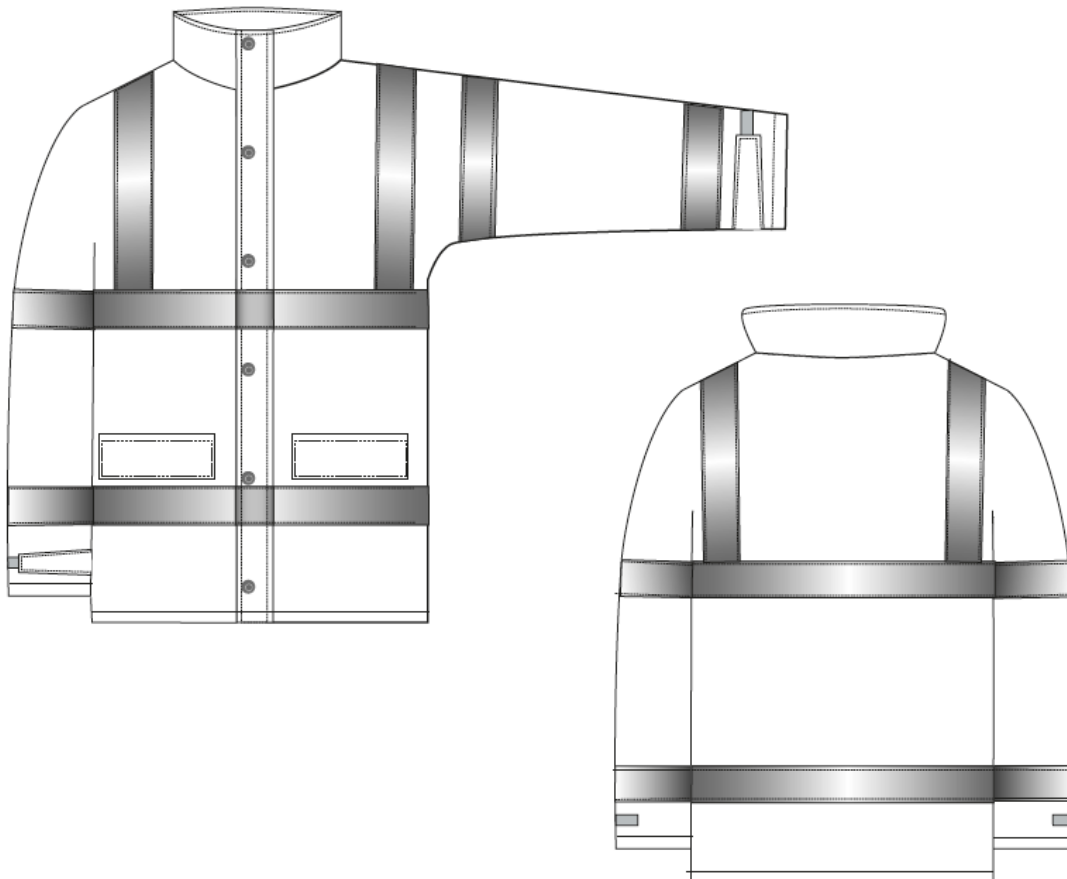


## EC TYPE-EXAMINATION CERTIFICATE (EC Directive 89/686/EEC)

**Number EC79954**

**Notified body number: 2019**  
NOTIFIED UNDER ARTICLE 9 OF EC DIRECTIVE 89/686/EEC

Drawing of Garment



**CE**  
**2019**

*Authorised By:*  
Dale Brockbank  
Materials Testing Manager

Issue 1 28 October 2016

Certified since 28 October 2016

WYMTS Reference : 79954

❖ This Certificate remains the property of West Yorkshire Materials Testing Service whom it must be returned to on request.

