



## EC TYPE-EXAMINATION CERTIFICATE (EC Directive 89/686/EEC)

**Notified body number: 2019**

*NOTIFIED UNDER ARTICLE 9 OF EC DIRECTIVE 89/686/EEC*

**Certificate No:** EC66297-01

Issue 1 19 December 2014

Certified since 19 December 2014

**Issued to:**

**Portwest Clothing Ltd.**

Fields End Business Park,  
Thurnscoe,  
South Yorkshire.  
S63 0JF,  
England.

**Portwest Ltd (Fuzhou)**

13<sup>th</sup> Floor, ChuangYe Building,  
HaiXi Hitech Industrial Park  
MinHou County,  
FuZhou City, Fujian Province  
China P.C. 350100

It is certified that the manufacturer's technical file and the PPE detailed below have been assessed and found to be in accordance with EC Directive 89/686/EEC for PPE of 'Intermediate Design'.

**Portwest Style RT60 High Visibility Breathable Traffic Jacket.** constructed from a Yellow PU Coated polyester fabric (190gm) with a black mesh lining on the torso and black taffeta lining in the sleeves. The garment has two bands of retroreflective tape about the torso and sleeves with over the shoulder bands. The garment is available in eight nominal sizes the smallest being size S.

When examined the PPE satisfied the relevant requirements in the harmonized standards,

EN ISO 20471:2013 Class 3  
EN 343:2003 A1:2007 Class 3, 3

The manufacturer's information notices detailed within the technical file (USP-005) in English have been assessed and found to have addressed all of the relevant requirements of the standards. However the detailed content of the notice is the responsibility of the manufacturer as are translations into other languages.

*Authorised by:*  
D. Brockbank  
Materials Testing Manager



- ❖ This Certificate remains the property of West Yorkshire Materials Testing Service whom it must be returned to on request.
- ❖ This certificate is only valid if the seal is stamped.



## EC TYPE-EXAMINATION CERTIFICATE (EC Directive 89/686/EEC)

**Notified body number: 2019**

*NOTIFIED UNDER ARTICLE 9 OF EC DIRECTIVE 89/686/EEC*

**Certificate No:** EC66297-01

Issue 1 19 December 2014

Certified since 19 December 2014

**Issued to:**

**Portwest Clothing Ltd.**

Fields End Business Park,  
Thurnscoe,  
South Yorkshire.  
S63 0JF,  
England.

**Portwest Ltd (Fuzhou)**

13<sup>th</sup> Floor, ChuangYe Building,  
HaiXi Hitech Industrial Park  
MinHou County,  
FuZhou City, Fujian Province  
China P.C. 350100

**ALL TEST DOCUMENTS MUST BE INCLUDED IN THE TECHNICAL FILE**

Requirement	Assessment	Technical Documentation
Technical File	Technical file in order with PPE Directive (89/686/EEC)	Portwest technical file RT60 10/12/14 and supplements.
EN 340/ISO 13688 Innocuousness	Garment meets all requirements	Oekotex 11-23395 ,BEAO 051818 Oekotex SHAO 044012 SGS SHSL1303051214TX BV (9314)293-1008
EN 340/ISO 13688 Ergonomics and sizing, and ISO20471 Design assessment.	Garment meets all requirements, with size S achieving Class 3	Garment Design Assessed
EN343	Class 3, 3	BTTG 11/13376A SGS SHSL1209207602TX SGS SHSL1407160687TX
EN ISO 20471	EN ISO 20471	BTTG 11/16319A, 11/15015B WYMTS 65973, BV(9314)393-1008 BV(9314)393-1024, (9314)393-1025 SGS SHSL1205091800TX Satra SPC0218053/1338
Product Markings	Marking meets the requirements of EN 343, ISO13688:2003 & ISO20471	Detailed within technical File



Authorised by:  
D. Brockbank  
Materials Testing Manager

**CE**  
**2019**

- ❖ This Certificate remains the property of West Yorkshire Materials Testing Service whom it must be returned to on request.
- ❖ This certificate is only valid if the seal is stamped.





## EC TYPE-EXAMINATION CERTIFICATE (EC Directive 89/686/EEC)

Notified body number: 2019

NOTIFIED UNDER ARTICLE 9 OF EC DIRECTIVE 89/686/EEC

Certificate No: EC66297-01

Issue 1 19 December 2014

Certified since 19 December 2014

Issued to:

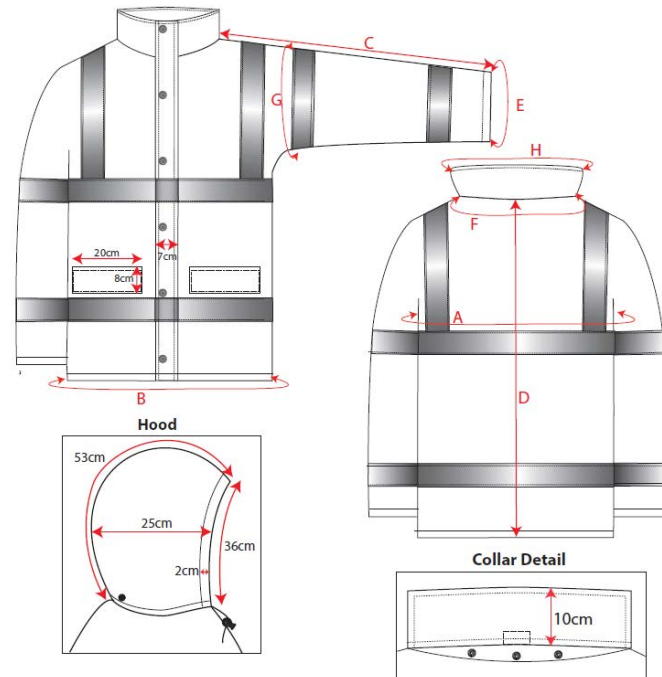
**Portwest Clothing Ltd.**

Fields End Business Park,  
Thurnscoe,  
South Yorkshire.  
S63 0JF,  
England.

**Portwest Ltd (Fuzhou)**

13<sup>th</sup> Floor, ChuangYe Building,  
HaiXi Hitech Industrial Park  
MinHou County,  
FuZhou City, Fujian Province  
China P.C. 350100

Drawing of Garment



Authorised by:  
D. Brockbank  
Materials Testing Manager

**CE**  
**2019**

- ❖ This Certificate remains the property of West Yorkshire Materials Testing Service whom it must be returned to on request.
- ❖ This certificate is only valid if the seal is stamped.



## EC TYPE-EXAMINATION CERTIFICATE (EC Directive 89/686/EEC)

Notified body number: 2019

NOTIFIED UNDER ARTICLE 9 OF EC DIRECTIVE 89/686/EEC

Certificate No: EC66297

Issue 1 19 December 2014

Certified since 19 December 2014

Issued to:

**Portwest Clothing Ltd.**

Fields End Business Park,  
Thurnscoe,  
South Yorkshire.  
S63 0JF,  
England.

**Portwest Ltd (Fuzhou)**

13<sup>th</sup> Floor, ChuangYe Building,  
HaiXi Hitech Industrial Park  
MinHou County,  
FuZhou City, Fujian Province  
China P.C. 350100

It is certified that the manufacturer's technical file and the PPE detailed below have been assessed and found to be in accordance with EC Directive 89/686/EEC for PPE of 'Intermediate Design'.

**Portwest Style RT60 High Visibility Breathable Traffic Jacket.** constructed from an Orange PU Coated polyester fabric (190gm) with a black mesh lining on the torso and black taffeta lining in the sleeves. The garment has two bands of retroreflective tape about the torso and sleeves with over the shoulder bands. The garment is available in eight nominal sizes the smallest being size S.

When examined the PPE satisfied the relevant requirements in the harmonized standards,

EN ISO 20471:2013 Class 3  
EN 343:2003 A1:2007 Class 3, 3

And the non harmonized standard:

GO/RT 3279 Issue 8 : 2013

The manufacturer's information notices detailed within the technical file (USP-005) in English have been assessed and found to have addressed all of the relevant requirements of the standards. However the detailed content of the notice is the responsibility of the manufacturer as are translations into other languages.



Authorised by:  
D. Brockbank  
Materials Testing Manager

**CE**  
**2019**

- ❖ This Certificate remains the property of West Yorkshire Materials Testing Service whom it must be returned to on request.
- ❖ This certificate is only valid if the seal is stamped.



## EC TYPE-EXAMINATION CERTIFICATE (EC Directive 89/686/EEC)

**Notified body number: 2019**

*NOTIFIED UNDER ARTICLE 9 OF EC DIRECTIVE 89/686/EEC*

**Certificate No:** EC66297

Issue 1 19 December 2014

Certified since 19 December 2014

**Issued to:**

**Portwest Clothing Ltd.**

Fields End Business Park,  
Thurnscoe,  
South Yorkshire.  
S63 0JF,  
England.

**Portwest Ltd (Fuzhou)**

13<sup>th</sup> Floor, ChuangYe Building,  
HaiXi Hitech Industrial Park  
MinHou County,  
FuZhou City, Fujian Province  
China P.C. 350100

**ALL TEST DOCUMENTS MUST BE INCLUDED IN THE TECHNICAL FILE**

Requirement	Assessment	Technical Documentation
Technical File	Technical file in order with PPE Directive (89/686/EEC)	Portwest technical file RT60 10/12/14 and supplements.
EN 340/ISO 13688 Innocuousness	Garment meets all requirements	Oekotex 11-23395 ,BEAO 051818 Oekotex SHAO 044012 SGS SHSL1303051214TX BV (9314)293-1008
EN 340/ISO 13688 Ergonomics and sizing, and ISO20471 Design assessment.	Garment meets all requirements, with size S achieving Class 3	Garment Design Assessed
EN343	Class 3, 3	BTTG 11/13376A SGS SHSL1209207602TX SGS SHSL1407160687TX
EN ISO 20471 & GO/RT 3279	EN ISO 20471	BTTG 11/16319A WYMTS 65974, BV(9314)393-1008 BV(9314)393-1024, (9314)393-1025 SGS SHSL1205091800TX Satra SPC0218053/1338
Product Markings	Marking meets the requirements of EN 343, ISO13688:2003 & ISO20471	Detailed within technical File



Authorised by:  
D. Brockbank  
Materials Testing Manager

**CE**  
**2019**

- ❖ This Certificate remains the property of West Yorkshire Materials Testing Service whom it must be returned to on request.
- ❖ This certificate is only valid if the seal is stamped.





## EC TYPE-EXAMINATION CERTIFICATE (EC Directive 89/686/EEC)

Notified body number: 2019

NOTIFIED UNDER ARTICLE 9 OF EC DIRECTIVE 89/686/EEC

Certificate No: EC66297

Issue 1 19 December 2014

Certified since 19 December 2014

Issued to:

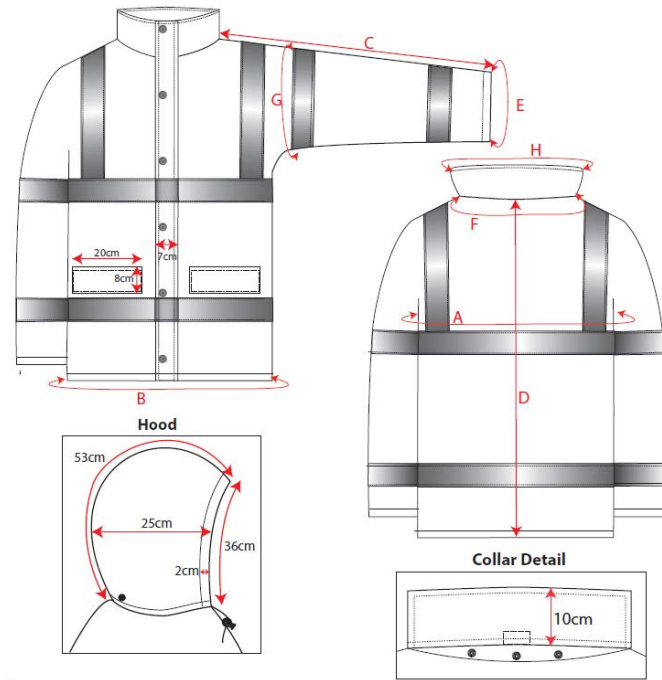
**Portwest Clothing Ltd.**

Fields End Business Park,  
Thurnscoe,  
South Yorkshire.  
S63 0JF,  
England.

**Portwest Ltd (Fuzhou)**

13<sup>th</sup> Floor, ChuangYe Building,  
HaiXi Hitech Industrial Park  
MinHou County,  
FuZhou City, Fujian Province  
China P.C. 350100

Drawing of Garment



Authorised by:  
D. Brockbank  
Materials Testing Manager

**CE**  
**2019**

- ❖ This Certificate remains the property of West Yorkshire Materials Testing Service whom it must be returned to on request.
- ❖ This certificate is only valid if the seal is stamped.

