

## EC TYPE-EXAMINATION CERTIFICATE (EC Directive 89/686/EEC)

Notified body number: 2019

NOTIFIED UNDER ARTICLE 9 OF EC DIRECTIVE 89/686/EEC

Certificate No: EC66947-02

Issue 3 17 December 2014

Certified since 16 December 2014

Issued to:

**Portwest Clothing Ltd.**

Fields End Business Park,  
Thurnscoe,  
South Yorkshire.  
S63 0JF,  
England.

**Portwest Ltd (Fuzhou)**

13<sup>th</sup> Floor, ChuangYe Building,  
HaiXi Hitech Industrial Park  
MinHou County,  
FuZhou City, Fujian Province  
China P.C. 350100

It is certified that the manufacturer's technical file and the PPE detailed below have been assessed and found to be in accordance with EC Directive 89/686/EEC for PPE of 'Intermediate Design'.

**Portwest Style E041 High Visibility Trousers.** constructed from a 80% Polyester, 20% Cotton 280 g/m<sup>2</sup> Satin Weave fabric in orange, the garments have two horizontal retroreflective bands sewn about each lower leg. The garment is available in nine nominal sizes the smallest being XS and is intended to be worn with & GO/RT 3279 upper body garments as required by the manufacturers instructions for use.

When examined the PPE satisfied the relevant requirements in the harmonized standards,

EN ISO 20471:2013 Class 1

And the non harmonized standard:

GO/RT 3279 Issue 8 : 2013

The manufacturer's information notices detailed within technical file (EO41) in English have been assessed and found to have addressed all of the relevant requirements of the standards. However the detailed content of the notice is the responsibility of the manufacturer as are translations into other languages.



Authorised by:  
D. Brockbank  
Materials Testing Manager

**CE**  
**2019**

- ❖ This Certificate remains the property of West Yorkshire Materials Testing Service whom it must be returned to on request.
- ❖ This certificate is only valid if the seal is stamped.



## EC TYPE-EXAMINATION CERTIFICATE (EC Directive 89/686/EEC)

**Notified body number: 2019**

*NOTIFIED UNDER ARTICLE 9 OF EC DIRECTIVE 89/686/EEC*

**Certificate No:** EC66947-02

Issue 3 17 December 2014

Certified since 16 December 2014

**Issued to:**

**Portwest Clothing Ltd.**

Fields End Business Park,  
Thurnscoe,  
South Yorkshire.  
S63 0JF,  
England.

**Portwest Ltd (Fuzhou)**

13<sup>th</sup> Floor, ChuangYe Building,  
HaiXi Hitech Industrial Park  
MinHou County,  
FuZhou City, Fujian Province  
China P.C. 350100

### ALL TEST DOCUMENTS MUST BE INCLUDED IN THE TECHNICAL FILE

Requirement	Assessment	Technical Documentation
Technical File	Technical file in order with PPE Directive (89/686/EEC)	Portwest technical file E041 20/11/14 and supplements.
ISO 13688 Innocuousness	Garment meets all requirements	Oekotex SHWO 038312 Oekotex SHAO 044012
EN 340 Ergonomics and sizing, and ISO20471 Design assessment.	Garment meets all requirements, with size XS achieving Class 1	Garment Design Assessed
EN ISO 20471 & GO/RT 3279	Background fabric meets EN ISO 20471	BTTG 11/15375, 11/15327/A WYMTS 56757, 56735 WYMTS 61705-01, 66947 Satra SPC0220192/1338
EN ISO 20471 & GO/RT 3279	Retro -reflective Tape	Satra SPC0218053/1338
Product Markings	Marking meets the requirements of ISO13688:2003 & ISO20471	Detailed within technical File



Authorised by:  
D. Brockbank  
Materials Testing Manager

**CE**  
**2019**

- ❖ This Certificate remains the property of West Yorkshire Materials Testing Service whom it must be returned to on request.
- ❖ This certificate is only valid if the seal is stamped.





## EC TYPE-EXAMINATION CERTIFICATE (EC Directive 89/686/EEC)

Notified body number: 2019

NOTIFIED UNDER ARTICLE 9 OF EC DIRECTIVE 89/686/EEC

Certificate No: EC66947-02

Issue 3 17 December 2014

Certified since 16 December 2014

Issued to:

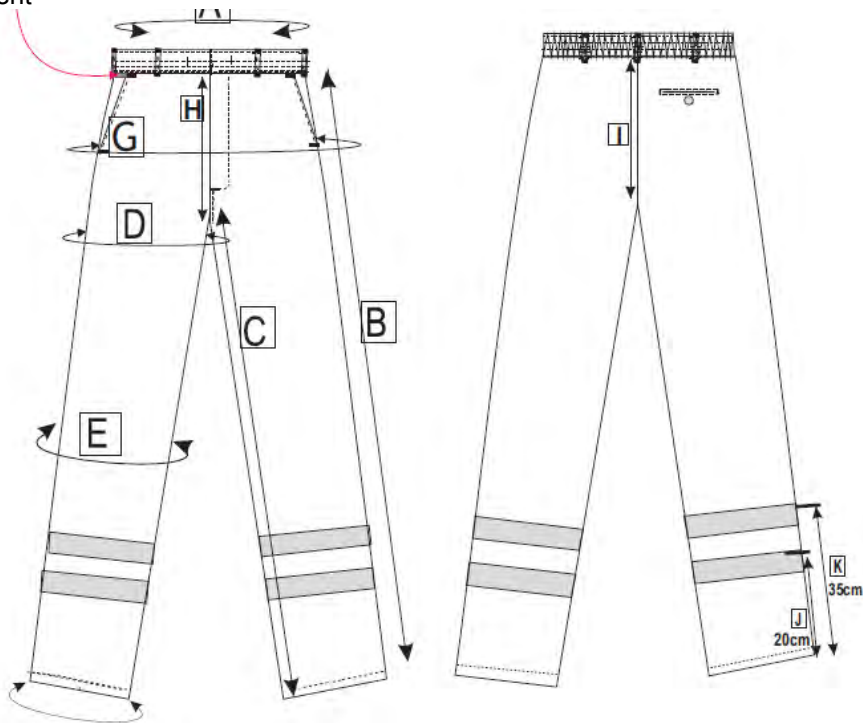
**Portwest Clothing Ltd.**

Fields End Business Park,  
Thurnscoe,  
South Yorkshire.  
S63 0JF,  
England.

**Portwest Ltd (Fuzhou)**

13<sup>th</sup> Floor, ChuangYe Building,  
HaiXi Hitech Industrial Park  
MinHou County,  
FuZhou City, Fujian Province  
China P.C. 350100

Drawing of Garment



Authorised by:  
D. Brockbank  
Materials Testing Manager

**CE**  
**2019**

- ❖ This Certificate remains the property of West Yorkshire Materials Testing Service whom it must be returned to on request.
- ❖ This certificate is only valid if the seal is stamped.





## EC TYPE-EXAMINATION CERTIFICATE (EC Directive 89/686/EEC)

Notified body number: 2019

NOTIFIED UNDER ARTICLE 9 OF EC DIRECTIVE 89/686/EEC

Certificate No: EC66947-02

Issue 3 17 December 2014

Certified since 16 December 2014

Issued to:

**Portwest Clothing Ltd.**

Fields End Business Park,  
Thurnscoe,  
South Yorkshire.  
S63 0JF,  
England.

**Portwest Ltd (Fuzhou)**

13<sup>th</sup> Floor, ChuangYe Building,  
HaiXi Hitech Industrial Park  
MinHou County,  
FuZhou City, Fujian Province  
China P.C. 350100

Authorised by:  
D. Brockbank  
Materials Testing Manager

CE  
2019

- ❖ This Certificate remains the property of West Yorkshire Materials Testing Service whom it must be returned to on request.
- ❖ This certificate is only valid if the seal is stamped.





## EC TYPE-EXAMINATION CERTIFICATE (EC Directive 89/686/EEC)

**Notified body number: 2019**

*NOTIFIED UNDER ARTICLE 9 OF EC DIRECTIVE 89/686/EEC*

**Certificate No:** EC66947-02

Issue 2 17 December 2014

Certified since 16 December 2014

**Issued to:**

**Portwest Clothing Ltd.**

Fields End Business Park,  
Thurnscoe,  
South Yorkshire.  
S63 0JF,  
England.

**Portwest Ltd (Fuzhou)**

13<sup>th</sup> Floor, ChuangYe Building,  
HaiXi Hitech Industrial Park  
MinHou County,  
FuZhou City, Fujian Province  
China P.C. 350100

It is certified that the manufacturer's technical file and the PPE detailed below have been assessed and found to be in accordance with EC Directive 89/686/EEC for PPE of 'Intermediate Design'.

**Portwest Style E041 High Visibility Trousers.** constructed from a 80% Polyester, 20% Cotton 280 g/m<sup>2</sup> Satin Weave fabric in yellow or orange, the garments have two horizontal retroreflective bands sewn about each lower leg. The garment is available in nine nominal sizes the smallest being XS.

When examined the PPE satisfied the relevant requirements in the harmonized standards,

EN ISO 20471:2013 Class 1

The manufacturer's information notices detailed within technical file (EO41) in English have been assessed and found to have addressed all of the relevant requirements of the standards. However the detailed content of the notice is the responsibility of the manufacturer as are translations into other languages.

*Authorised by:*  
D. Brockbank  
Materials Testing Manager

CE

2019

- ❖ This Certificate remains the property of West Yorkshire Materials Testing Service whom it must be returned to on request.
- ❖ This certificate is only valid if the seal is stamped.



## EC TYPE-EXAMINATION CERTIFICATE (EC Directive 89/686/EEC)

**Notified body number: 2019**

*NOTIFIED UNDER ARTICLE 9 OF EC DIRECTIVE 89/686/EEC*

**Certificate No:** EC66947-02

Issue 2 17 December 2014

Certified since 16 December 2014

**Issued to:**

**Portwest Clothing Ltd.**

Fields End Business Park,  
Thurnscoe,  
South Yorkshire.  
S63 0JF,  
England.

**Portwest Ltd (Fuzhou)**

13<sup>th</sup> Floor, ChuangYe Building,  
HaiXi Hitech Industrial Park  
MinHou County,  
FuZhou City, Fujian Province  
China P.C. 350100

### ALL TEST DOCUMENTS MUST BE INCLUDED IN THE TECHNICAL FILE

Requirement	Assessment	Technical Documentation
Technical File	Technical file in order with PPE Directive (89/686/EEC)	Portwest technical file E041 20/11/14 and supplements.
ISO 13688 Innocuousness	Garment meets all requirements	Oekotex SHWO 038312 Oekotex SHAO 044012
EN 340 Ergonomics and sizing, and ISO20471 Design assessment.	Garment meets all requirements, with size XS achieving Class 1	Garment Design Assessed
EN ISO 20471	Background fabric meets EN ISO 20471	BTTG 11/15375, 11/15327/A WYMTS 56757, 56735 WYMTS 61705-01, 66947 Satra SPC0220192/1338
EN ISO 20471	Retro -reflective Tape	Satra SPC0218053/1338
Product Markings	Marking meets the requirements of ISO13688:2003 & ISO20471	Detailed within technical File



Authorised by:  
D. Brockbank  
Materials Testing Manager

**CE**  
**2019**

- ❖ This Certificate remains the property of West Yorkshire Materials Testing Service whom it must be returned to on request.
- ❖ This certificate is only valid if the seal is stamped.





## EC TYPE-EXAMINATION CERTIFICATE (EC Directive 89/686/EEC)

**Notified body number: 2019**

*NOTIFIED UNDER ARTICLE 9 OF EC DIRECTIVE 89/686/EEC*

**Certificate No:** EC66947-02

Issue 2 17 December 2014

Certified since 16 December 2014

**Issued to:**

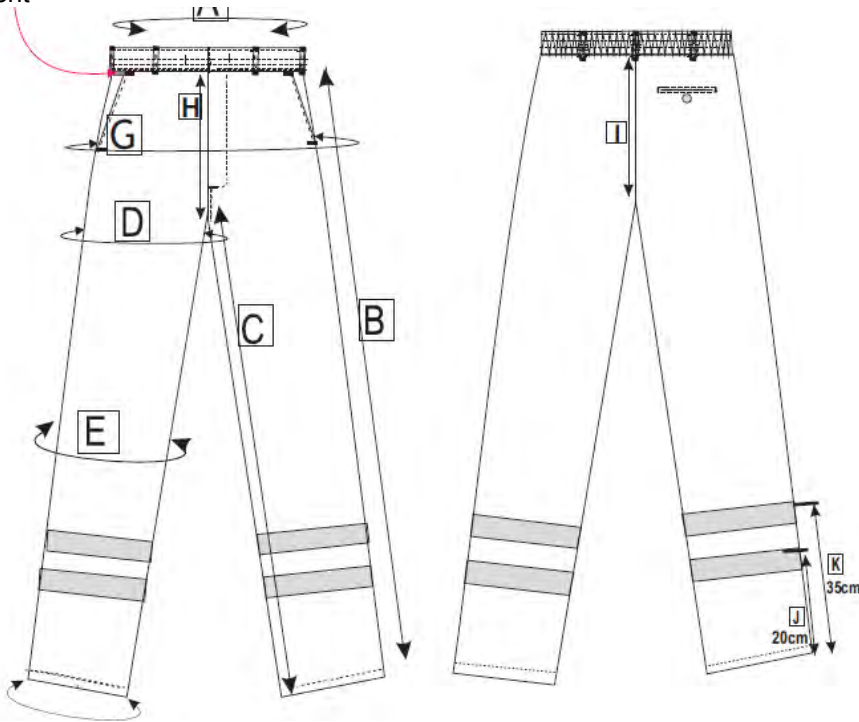
**Portwest Clothing Ltd.**

Fields End Business Park,  
Thurnscoe,  
South Yorkshire.  
S63 0JF,  
England.

**Portwest Ltd (Fuzhou)**

13<sup>th</sup> Floor, ChuangYe Building,  
HaiXi Hitech Industrial Park  
MinHou County,  
FuZhou City, Fujian Province  
China P.C. 350100

Drawing of Garment



*Authorised by:*  
D. Brockbank  
Materials Testing Manager

**CE**  
**2019**

- ❖ This Certificate remains the property of West Yorkshire Materials Testing Service whom it must be returned to on request.
- ❖ This certificate is only valid if the seal is stamped.





## EC TYPE-EXAMINATION CERTIFICATE (EC Directive 89/686/EEC)

Notified body number: 2019

NOTIFIED UNDER ARTICLE 9 OF EC DIRECTIVE 89/686/EEC

Certificate No: EC66947-02

Issue 2 17 December 2014

Certified since 16 December 2014

Issued to:

**Portwest Clothing Ltd.**

Fields End Business Park,  
Thurnscoe,  
South Yorkshire.  
S63 0JF,  
England.

**Portwest Ltd (Fuzhou)**

13<sup>th</sup> Floor, ChuangYe Building,  
HaiXi Hitech Industrial Park  
MinHou County,  
FuZhou City, Fujian Province  
China P.C. 350100

Authorised by:  
D. Brockbank  
Materials Testing Manager

**CE**  
**2019**

- ❖ This Certificate remains the property of West Yorkshire Materials Testing Service whom it must be returned to on request.
- ❖ This certificate is only valid if the seal is stamped.

